

Installation Addendum: Rack Side Air Distribution

Mounting rail installation overview

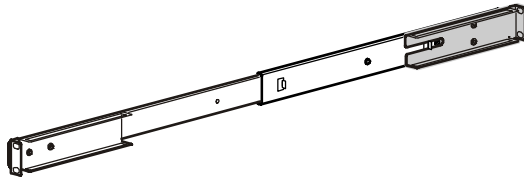


Note

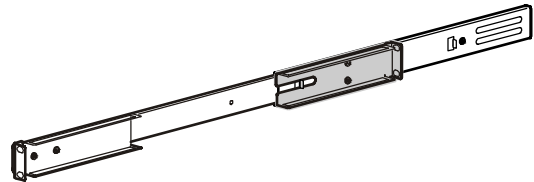
These instructions apply only to shallow vertical-rail spacing applications.

The mounting rails can be adjusted to fit a wide range of enclosure depths. Before installing the rails, measure the distance between the front and rear vertical-rails of the enclosure. **The repositioning of the rear mounting bracket is necessary when mounting rails are used in shallow vertical-rail spacing applications.**

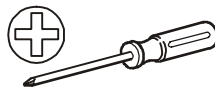
Deep vertical-rail distance — 27.5 to 30.0 in (698.5 to 762 mm)
(no adjustments necessary)



Shallow vertical-rail distance — 16.25 to 19.0 in (412.8 to 482.6 mm)
(relocation of the rear mounting bracket is necessary)



Tools required—not provided



P2 Phillips screwdriver

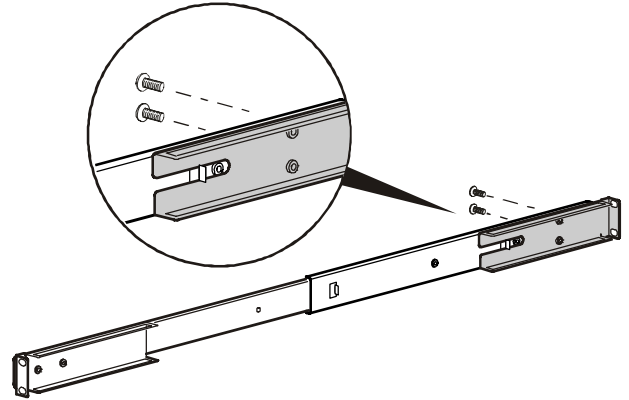
How to modify the mounting rails



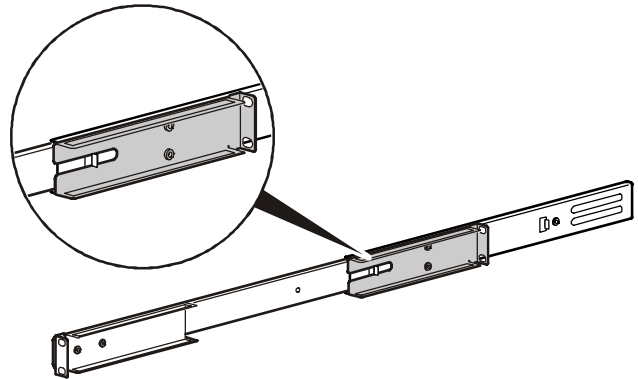
Note

Perform this procedure for both the left and the right mounting brackets.

1. Remove and discard the two adjusting screws that attach the rear mounting bracket to the mounting rail.



2. Reposition the rear mounting bracket by sliding it onto the forward tab of the mounting rail.



Note

The rear mounting bracket will slide freely on the forward tab of the mounting rail until the rail assembly is attached to the enclosure.



Refer to the Rack Side Air Distribution installation instructions for information on how to install the mounting rails in the enclosure.

