

Installation and Quick Start

Coaxial Analog KVM Switch

Coaxial Analog KVM Console Extender

AP5201

AP5202

AP5203

990-1744C-001

Publication Date: July, 2014



Schneider Electric Legal Disclaimer

The information presented in this manual is not warranted by Schneider Electric to be authoritative, error free, or complete. This publication is not meant to be a substitute for a detailed operational and site specific development plan. Therefore, Schneider Electric assumes no liability for damages, violations of codes, improper installation, system failures, or any other problems that could arise based on the use of this Publication.

The information contained in this Publication is provided as is and has been prepared solely for the purpose of evaluating data center design and construction. This Publication has been compiled in good faith by Schneider Electric. However, no representation is made or warranty given, either express or implied, as to the completeness or accuracy of the information this Publication contains.

IN NO EVENT SHALL SCHNEIDER ELECTRIC, OR ANY PARENT, AFFILIATE OR SUBSIDIARY COMPANY OF SCHNEIDER ELECTRIC OR THEIR RESPECTIVE OFFICERS, DIRECTORS, OR EMPLOYEES BE LIABLE FOR ANY DIRECT, INDIRECT, CONSEQUENTIAL, PUNITIVE, SPECIAL, OR INCIDENTAL DAMAGES (INCLUDING, WITHOUT LIMITATION, DAMAGES FOR LOSS OF BUSINESS, CONTRACT, REVENUE, DATA, INFORMATION, OR BUSINESS INTERRUPTION) RESULTING FROM, ARISING OUT, OR IN CONNECTION WITH THE USE OF, OR INABILITY TO USE THIS PUBLICATION OR THE CONTENT, EVEN IF SCHNEIDER ELECTRIC HAS BEEN EXPRESSLY ADVISED OF THE POSSIBILITY OF SUCH DAMAGES. SCHNEIDER ELECTRIC RESERVES THE RIGHT TO MAKE CHANGES OR UPDATES WITH RESPECT TO OR IN THE CONTENT OF THE PUBLICATION OR THE FORMAT THEREOF AT ANY TIME WITHOUT NOTICE.

Copyright, intellectual, and all other proprietary rights in the content (including but not limited to software, audio, video, text, and photographs) rests with Schneider Electric or its licensors. All rights in the content not expressly granted herein are reserved. No rights of any kind are licensed or assigned or shall otherwise pass to persons accessing this information. This Publication shall not be for resale in whole or in part.

Contents

- Coaxial Analog KVM Switch. 1**
- Safety. 1**
- Product Description and Inventory. 3**
 - Overview. 3
 - Inventory 3
 - Hardware requirements. 3
 - Additional documentation 4
 - Front panel of Coaxial Analog KVM Switch
(AP5202 shown). 5
 - Rear panel of Coaxial Analog KVM Switch
(AP5202 shown). 6
- Mount the Coaxial Analog KVM Switch 7**
 - Mounting options 7
- Install a Single Coaxial Analog KVM Switch 8**
 - Pre-installation 8
 - Single-station installation 8
- Install Multiple Coaxial Analog KVM Switches 9**
 - Pre-installation 9
 - Serial connection 9
- Apply Power 11**
 - Turn off and restart the Coaxial Analog KVM Switch. . . . 11
- Operation - Coaxial Analog KVM Switch 12**
 - Hot Key mode. 12
 - Select the active port. 12
 - Hot Key summary table 13
 - On Screen Display (OSD) operation 14
 - OSD navigation 14
 - OSD functions 15
- Specifications 16**

Coaxial Analog KVM Console Extender 17

- Product Description and Inventory. 17**
 - Overview.17
 - Inventory.17
 - Hardware requirements.17
 - Front view of Coaxial Analog KVM Console Extender.18
- Install the Coaxial Analog KVM Console Extender 19**
 - Pre-installation19
 - Installation19
- Operation - Coaxial Analog KVM Console Extender. 20**
- Specifications 21**

Coaxial Analog KVM Switch

Safety

DANGER

HAZARD OF ELECTRIC SHOCK, EXPLOSION, OR ARC FLASH

- Avoid circuit overload. Before energizing, review the electrical specifications in the product documentation.
- Use only the supplied power cord or a power cord approved for use in your region.
- The cord must have voltage and current ratings equal to or greater than those of the product rating label requirements.
- Plug the power cord into a grounded (earthed) outlet that is easily accessible. Do not disable the grounding pin.
- Make sure that all equipment, including power strips, is properly grounded.
- The AC inlet is the main disconnect device for the product.
- This product has no user-serviceable parts inside. Do not remove product cover. All repairs should be performed by authorized personnel only.

Failure to follow these instructions can result in death or serious injury.

CAUTION

HAZARD OF EQUIPMENT DAMAGE

- Do not connect the RJ-11 connector marked "UPGRADE" to any telecommunication network.
- Plugging in devices other than those specified in the product documentation may result in equipment damage
- Allow sufficient airflow for safe operation. To avoid overheating, make sure the product enclosure openings are never blocked or covered. Rack temperature must be less than 40°C.
- Uneven mechanical loading can create a hazardous condition.
- Do not use the product as a shelf.
- Use only the installation mounting hardware provided to avoid damage.

Failure to follow these instructions can result in injury or equipment damage.

NOTICE

- Do not use the device near water, Never spill liquid of any kind on the device.
- Unplug the device from the wall outlet before cleaning. Do not use liquid or aerosol cleaners. Use a damp cloth for cleaning.
- To help protect your system from sudden, transient increases and decreases in electrical power, use a surge suppressor, line conditioner, or uninterruptible power supply (UPS).
- Before working on the rack, make sure that the stabilizers are secured to the rack, extended to the floor, and that the full weight of the rack rests on the floor. Install front and side stabilizers on a single rack or front stabilizers for joined multiple racks before working on the rack.
- Position system cables and power cables carefully; Be sure that nothing rests on any cables.
- Never push objects of any kind into or through cabinet slots. They may touch dangerous voltage points or short out parts resulting in a risk of fire or electrical shock.
- Always load the rack from the bottom up, and load the heaviest item in the rack first.
- Make sure that the rack is level and stable before extending a device from the rack.
- Use caution when pressing the device rail release latches and sliding a device into or out of a rack; the slide rails can pinch your fingers.
- After a device is inserted into the rack, carefully extend the rail into a locking position, and then slide the device into the rack.
- Do not overload the AC supply branch circuit that provides power to the rack. The total rack load should not exceed 80 percent of the branch circuit rating.
- Make sure that all equipment used on the rack, including power strips and other electrical connectors, is properly grounded.
- Ensure that proper airflow is provided to devices in the rack.
- Ensure that the operating ambient temperature of the rack environment does not exceed the maximum ambient temperature specified for the equipment by the manufacturer
- Do not step on or stand on any device when servicing other devices in a rack.
- Equipment mounted on rails should not act as shelf or work surface.
- Route the power cord and cables so that they cannot be stepped on or tripped over.

Product Description and Inventory

Overview

Use the Coaxial Analog KVM Switch to control multiple servers with only one monitor, keyboard, and mouse. Control up to 256 servers with a daisy chain of 32 AP5201 Coaxial Analog KVM Switches, or control up to 512 servers with a daisy chain of 32 AP5202 Coaxial Analog KVM Switches.

Inventory

Quantity	Item
1	Coaxial Analog KVM Switch AP5201 (8 ports) or AP5202 (16 ports)
1	Configuration cable
1	NEMA 5-15 to IEC power cable
2	Mounting brackets for a 19-inch enclosure
1	<i>Installation and Quick Start</i> manual
1	Coaxial Analog KVM Switch <i>Utility</i> CD
1	Warranty card

Hardware requirements

Console. To use the Coaxial Analog KVM Switch, you need the following equipment:

- VGA, SVGA, or Multisync monitor capable of the highest resolution that you plan to use on any server in the installation
- PS/2-style mouse
- PS/2-style keyboard

Server. To access the Coaxial Analog KVM Switch, your server requires the following:

- VGA, SVGA, or Multisync card
- 6-pin mini-DIN (PS/2-style) mouse port
NOTE: The Coaxial Analog KVM Switch does not support serial mice. You cannot use serial-to-PS/2 adapters with the cables.
- Keyboard port:
 - 6-pin mini-DIN (PS/2-style) keyboard port with +5 Vdc on pin 4 and ground on pin 3,
or
 - 5-pin DIN (AT-style) keyboard port with +5 Vdc on pin 5 and ground on pin 4
NOTE: If your server uses an AT-style keyboard socket, purchase a PS/2-to-AT keyboard adapter to plug the cable into the keyboard port on the server.

Cable. To use the Coaxial Analog KVM Switch, connect the proper cables to the switch. Schneider Electric offers the following cable types for your switch:

Part Number	Cable Type	Cable Length
AP5264	PS/2 cable	3 ft (0.9 m)
AP5250	PS/2 cable	6 ft (1.8 m)
AP5254	PS/2 cable	12 ft (3.6 m)
AP5258	PS/2 cable	25 ft (7.6 m)
AP5253	USB cable	6 ft (1.8 m)
AP5257	USB cable	12 ft (3.6 m)
AP5261	USB cable	25 ft (7.6 m)
AP5251	SUN (13W3) cable	6 ft (1.8 m)
AP5255	SUN (13W3) cable	12 ft (3.6 m)
AP5259	SUN (13W3) cable	25 ft (7.6 m)
AP5252	SUN (VGA) cable	6 ft (1.8 m)
AP5256	SUN (VGA) cable	12 ft (3.6 m)
AP5260	SUN (VGA) cable	25 ft (7.6 m)
AP5262	Daisy chain cable for serial connection	2 ft (0.6 m)
AP5263	Daisy chain cable for serial connection	6 ft (1.8 m)

NOTICE

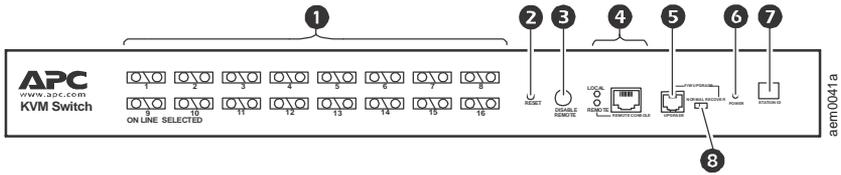
Incorrect installation can cause improper functioning of the device or damage to hardware. Substandard cables can produce toxic fumes if a fire occurs.

Additional documentation

The Coaxial Analog KVM Switch *User Guide* is available on the web site (www.schneider-electric.com). The *User Guide* contains additional information about the following topics related to the Coaxial Analog KVM Switch:

- On-Screen Display (OSD) and the menu-driven interface
- User accounts
- Hot-plugging
- Hot Key operation

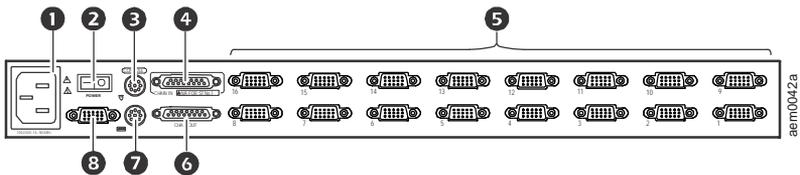
Front panel of Coaxial Analog KVM Switch (AP5202 shown)



Item	Description
1 Port LEDs	<p>Each port has a left (Online) and right (Selected) LED pair that provides status information about a corresponding server port.</p> <p>A GREEN Online LED indicates the corresponding attached server port is operating correctly. An ORANGE Selected LED indicates the corresponding attached server has the KVM focus. Under normal conditions, the LED is steady. When accessing its port under Auto Scan Mode, the LED flashes.</p> <p>Each time the Coaxial Analog KVM Switch begins to provide power, it performs a self-test. The Online LED and then the Selected LED blink once during the self-test.</p>
2 Reset switch	<p>Allows you to perform a system reset by pressing the recessed Reset switch with a thin object (such as the end of a paper clip or ballpoint pen).</p>
3 Disable Remote button	<p>Enables or disables remote access to the console.</p>
4 Remote console	<p>To use a remote console, plug a CAT-5 cable (not included) into the RJ-45 connector. When both a local and remote console are present, both can access the Analog KVM Switch (but not simultaneously). Push the Disable Remote button to toggle between “Remote access allowed” and “Remote access disabled.”</p> <p>When the remote console is accessing the switch, you can view input data through the local console, but can only make changes through the remote console. When the local console is accessing the switch, you can view input data through the remote console, but can only make changes through the local console.</p> <p>The Local and Remote LEDs indicate which console is currently in use. When a remote extension unit is attached and is receiving power, the two LEDs alternately light when no one is accessing either console.</p>

Item	Description
5 Upgrade port	The firmware upgrade cable plugs into the RJ-11 connector and transfers firmware upgrade data from the administrator's server to the Coaxial Analog KVM Switch.
6 Power LED	Indicates that the Coaxial Analog KVM Switch is receiving power.
7 Station ID LED	Displays the two-digit station number of the Coaxial Analog KVM Switch. The station number indicates the Analog KVM Switch's position in the daisy-chain sequence.
8 Firmware upgrade reset switch	The Reset switch is in the NORMAL position during normal operation or while performing a firmware upgrade. If the firmware upgrade does not succeed: Slide the Reset switch to the RECOVER position. Remove and then restore power to the Coaxial Analog KVM Switch. Slide the Reset switch back to the NORMAL position. Turn the Coaxial Analog KVM Switch off and then on.

Rear panel of Coaxial Analog KVM Switch (AP5202 shown)



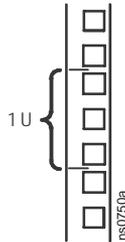
Item	Description
1 Power inlet	3-pin, AC power inlet.
2 Power switch	Rocker-style switch for turning the Coaxial Analog KVM Switch on or off.
3 Mouse connector	Connects to a PS/2-style mouse.
4 Chain In port	Serially connects one Coaxial Analog KVM Switch to another. (This port is not used for the primary [Station 01] Coaxial Analog KVM Switch in a daisy-chain setup.)
5 Server connections	Monitor connected servers; the AP5201 model can monitor up to eight, and the AP5202 model can monitor up to sixteen.
6 Chain Out port	Serially connects one Coaxial Analog KVM Switch to another switch.
7 Keyboard connector	Connects to a PS/2-style keyboard.
8 Monitor connector	Connects to a VGA, SVGA, or Multisync monitor capable of the highest resolution that you plan to use on any server in the installation.

Mount the Coaxial Analog KVM Switch

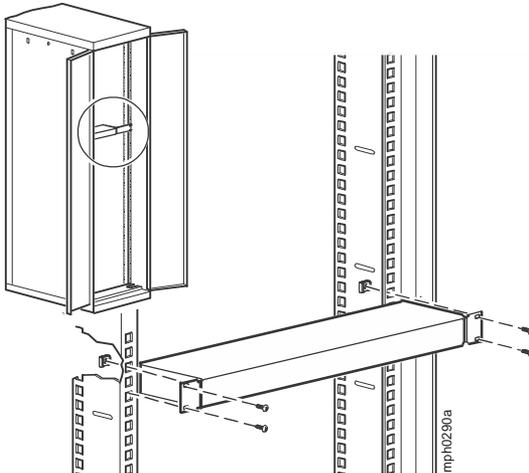
Mounting options

You can install the Coaxial Analog KVM Switch in the front or the rear of the rack or enclosure. To mount the Coaxial Analog KVM Switch horizontally in a NetShelter® or any other standard EIA-310 rack or enclosure:

1. Attach the mounting brackets to the front or rear of the Coaxial Analog KVM Switch, using flat-head screws (provided).
2. Insert cage nuts (provided with the NetShelter enclosure) on the vertical mounting rails above a number at the top of a U-space in your enclosure and below the same number at the bottom of the U-space.



3. Align the mounting holes on the brackets with the cage nuts you installed in step 2, and insert four mounting screws (provided with the rack) to secure the brackets to the enclosure.



Install a Single Coaxial Analog KVM Switch

Pre-installation

Turn off power to all devices that you plan to connect. To prevent damage to your equipment because of static-electric discharge, ground all devices involved in the installation.

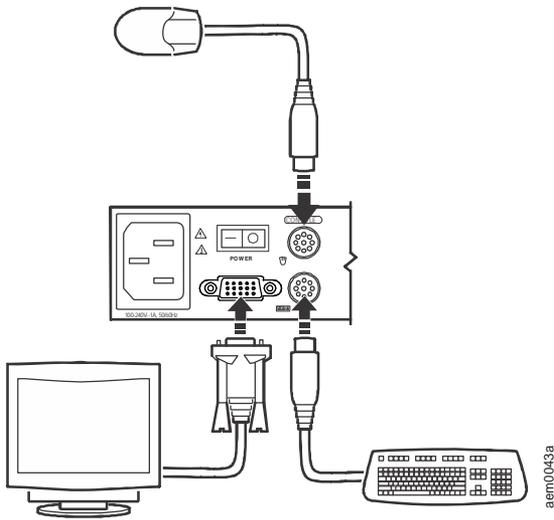
NOTICE

For safety and grounding instructions, consult your device manuals or contact the customer support department of the device manufacturer.

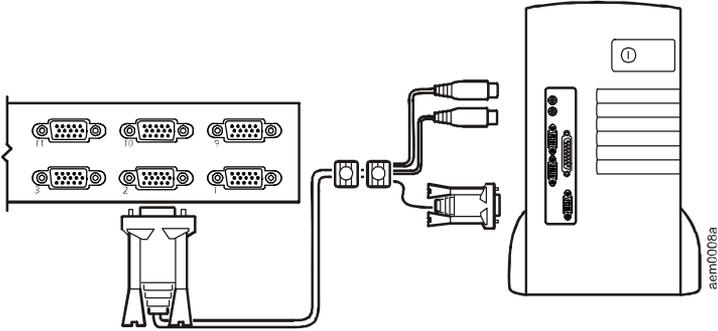
Single-station installation

To install a single-station system, in which no additional Coaxial Analog KVM Switches are serially connected to the first Switch:

1. Plug your keyboard, mouse, and monitor into the correct ports on the rear of the Coaxial Analog KVM Switch.



- For each server that you are connecting to the Coaxial Analog KVM Switch, use a custom cable set (see “Cable” on page 4) to connect any available server port on the rear of the Coaxial Analog KVM Switch to the **Keyboard**, **Video**, and **Mouse** ports of the server.



- Plug the power cable into the port marked **Power** on the rear of the Coaxial Analog KVM Switch, and then plug the power cable into an AC power source.
- Apply power to the servers.

Install Multiple Coaxial Analog KVM Switches

Pre-installation

Turn off power to all devices that you plan to connect. To prevent damage to your equipment because of static-electric discharge, ground all devices involved in the installation.

NOTICE

For safety and grounding instructions, consult your device manuals or contact the customer support department of the device manufacturer.

Serial connection

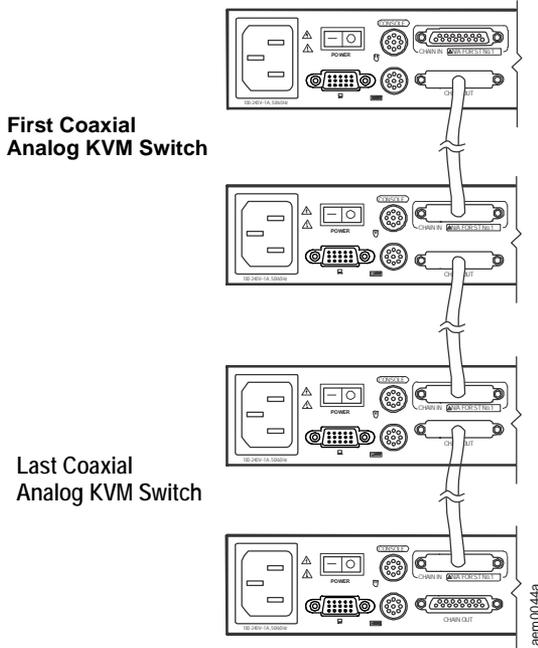
To control additional servers from a single console, you can connect up to 31 Coaxial Analog KVM Switches serially (in a daisy-chain setup) to the first Coaxial Analog KVM Switch. Control up to 256 servers with a daisy chain of 32 AP5201 Coaxial Analog KVM Switches, or control up to 512 servers with a daisy chain of 32 AP5202 Coaxial Analog KVM Switches.

- Turn off power to all devices that you plan to connect.
- Use a custom cable set (see “Cable” on page 4) to connect the Coaxial Analog KVM Switches. Connect the **Chain Out** port of the first Coaxial Analog KVM Switch to the **Chain In** port of the second Coaxial Analog KVM Switch, connect the **Chain Out** port of the second Coaxial Analog KVM Switch to the **Chain In** port of the third Coaxial Analog KVM Switch, etc.

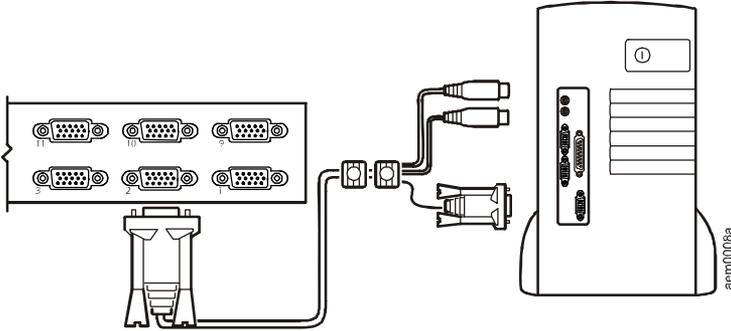
NOTICE

- Do not use the **Chain In** port of the first Coaxial Analog KVM Switch. **Chain In** ports are only used on Coaxial Analog KVM Switches that have a station number of 2 or higher.
- **Chain In** ports are used to connect to the parent Coaxial Analog KVM Switch, which has a lower station ID number.
- Do not use the **Chain Out** port of the last Coaxial Analog KVM Switch.

The following figure shows four Coaxial Analog KVM Switches in a daisy-chain configuration.



3. For each server you are connecting to the daisy-chain setup, use a custom cable set (see “Cable” on page 4) to connect an available server port on one of the Coaxial Analog KVM Switches to the **Keyboard**, **Video**, and **Mouse** ports of the server.



4. Apply power to the system. See “Apply Power” on this page to complete the multi-switch installation.

Apply Power

To apply power for a multiple-switch system:

1. Plug in the power cable for the first KVM station. Wait for the Analog KVM Switch to discover and display its station ID on the **Station ID** LED. The station ID for the first station is 01.
2. Plug in the power cables for each Coaxial Analog KVM Switch on the system in order of second station, third station, and so on. In each case, wait for the station ID to be discovered and displayed on the current Coaxial Analog KVM Switch before plugging in the next one. The ID for the second station is 02, the ID for the third station is 03, etc.
3. After all the Coaxial Analog KVM Switches are running, apply power to the servers.

Turn off and restart the Coaxial Analog KVM Switch

Always follow this procedure after removing power to the Coaxial Analog KVM Switch.

1. Remove power from all connected servers.
NOTE: Unplug the power cord of any server with the **Keyboard Power On** function enabled; otherwise, the station continues to receive power from the servers.
2. Wait 10 seconds, and then plug in the Coaxial Analog KVM Switch.
3. Apply power to the servers only after the Coaxial Analog KVM Switch is running.

Operation - Coaxial Analog KVM Switch

Select ports using one of the following two methods: entering Hot Key combinations from the keyboard or using the On-Screen Display (OSD).

Hot Key mode

To activate or deactivate Hot Key mode, press NUM LOCK and the hyphen (-) key at the same time.

NOTE: Release the hyphen (-) key within 1/2 second. Otherwise Hot Key activation stops and has no effect.

When Hot Key mode is active, the following changes occur:

- Caps Lock and Scroll Lock LEDs on the keyboard flash in succession. These stop flashing and revert to normal status after you exit Hot Key mode.
- The screen displays `HotKey:` and all subsequent keyed-in Hot Key information.
- Ordinary keyboard and mouse functions have no effect. You can input only Hot Key-compliant keystrokes and mouse clicks.

Press ESC to exit Hot Key mode.

See the *User's Guide* on the provided Coaxial Analog KVM Switch *Utility* CD for additional information about Hot Key functions.

Select the active port

Each server port is assigned a Port ID. Directly access any server connected to your Coaxial Analog KVM Switch System with a Hot Key combination that specifies the Station ID and the Port ID of the connected server's port.

To select the active port:

1. Activate Hot Key mode by pressing NUM LOCK and the hyphen (-) key simultaneously.
2. Enter the 2-digit station ID and 2-digit Port ID; do not separate these numbers with a space character.
NOTE: The Station ID and Port ID are displayed on the command line as you type each number. For example, enter 0305 to switch to Port 5 of the third Coaxial Analog KVM Switch in a multi-station chain. Use BACKSPACE to erase an incorrectly typed number.
3. Press ENTER. The Coaxial Analog KVM Switch will focus on the designated server and exit Hot Key mode.

Hot Key summary table

The following table summarizes Hot Key operations on the Coaxial Analog KVM Switch:

See “Hot Key mode” on page 12 for instructions on activating Hot Key Mode.

Hot Key Operation	Description
Station ID and Port ID numbers	Switch access to the server corresponding to the Port ID on the station corresponding to the Station ID.
T + number 1–255	Sets the Auto Scan interval to a number of seconds from 1 to 255.
A	Activates Auto Scan mode.
P	Pauses Auto Scan. Press P or left-click the mouse. To resume Auto Scan, press any key or left-click the mouse.
←	Activates Skip mode and skips from the current port to the preceding port.
→	Activates Skip mode and skips from the current port to the next port.
↑	Activates Skip mode and skips from the current port to the last port of the previous KVM station.
↓	Activates Skip mode and skips from the current port to the first port of the next KVM station.
B	Toggles the beeper on or off.
ESC	Exits Hot Key mode

On Screen Display (OSD) operation

To activate the OSD main menu:

1. Press the pre-assigned Hot Key, SCROLL LOCK, twice in rapid succession if you are already logged on.
Optionally, you can assign the CTRL key as the main menu Hot Key. See the *User's Guide* on the provided Coaxial Analog KVM Switch *Utility* CD for additional information.
2. When power is applied to the Coaxial Analog KVM Switch, the KVM Login screen appears. To access the OSD menus, do either of the following:
 - Enter a valid user name in the username field, press TAB, enter a valid password in the password field, and press ENTER.
 - For a first-time KVM OSD activation, or if the user name and password have not been set, leave the user name and password fields blank, and press ENTER.

The OSD main menu appears in Administrator mode (or User mode, if logged in as a user). Administrator mode provides access to both Administrator and User functions and lets you set up operations (including future password authorization).

OSD navigation

Use any of the following methods to navigate the OSD main menu screen:

- To hide the main menu and deactivate the OSD, press ESC, click the X at the upper-right hand corner of the screen, or right-click the mouse.
- To log off the OSD, press F8 or click F8 LOUT or the zZ button at the top of the screen, and answer Y to the prompt.
- To move up or down through the list, one line at a time, press the up or down arrow keys or click the up or down arrow symbols on the right scroll bar of the OSD.
- To move up or down through the list, one screen at a time, press the Page Up (PGUP) or Page Down (PGDN) key.
- To activate a port, double-click its name in the list, or highlight the name and press ENTER.

OSD functions

The OSD provides a series of function keys to configure and control various server operations. For example, you can switch to any port, scan selected ports, and limit the list of ports you want to view. You can also manage port names or make OSD setting adjustments.

To access any OSD function do one of the following:

- Press the desired function key on your keyboard.
- Click a function key menu option located at the top of the main menu screen.

For some functions, a submenu may appear.

Press ESC or click the X button in the upper right corner of the OSD to return to the preceding menu level.

See the *User's Guide* on the provided Coaxial Analog KVM Switch *Utility* CD for additional information on the OSD and its functions.

Specifications

Electrical

Power supply	100–240 V; 50 or 60 Hz
Connectors	
Console VGA	HDB-15F
Console K/M	2-pin mini-DIN F (keyboard: purple; mouse: green)
CPU Ports	AP5202: (16) SPDB-15F; AP5201: (8) SPDB-15F
Serial connection	DB-25 F, 1 x DB-25 M
Remote access	RJ-45
Firmware Upgrade	RJ-11
Power	3-pin AC power jack
Emulation	
Keyboard	PS/2
Mouse	PS/2
Scan interval	User specified: 1 to 255 seconds
Power consumption	DC 9 V, 8 W (max)

Physical

Switches	
NORMAL RECOVER (Firmware upgrade)	Slide switch
RESET	Semi-recessed push-button
LOCAL/REMOTE (remote access)	Locking push-button
LEDs	
ON LINE	AP5202: 16 (Green); AP5201: 8 (Green)
SELECTED	AP5202: 16 (Orange); AP5201: 8 (Orange)
POWER	1 (Blue)
STATION ID	Double 7 segment
Video	1920 x 1440, DDC2B
Weight	7.90 lb (3.56 kg)
Dimensions (L x W x H)	17.00 x 8.25 x 1.75 in (431.8 x 209.6 x 44.45 mm)

Environmental

Temperature	
Operating	0° to 40°C (32° to 104°F)
Storage	–20° to 60°C (–4° to 140°F)
Humidity	0–95% RH

Compliances

CE, UL, FCC, VCCI, GOST AE86

Coaxial Analog KVM Console Extender

Product Description and Inventory

Overview

Use the Coaxial Analog KVM Console Extender to operate the Coaxial Analog KVM Switch from a remote console that is up to 500 ft (150 m) from the Switch.

Inventory

Quantity	Item
1	Coaxial Analog KVM Console Extender (AP5203)
1	Power adapter
1	Warranty card

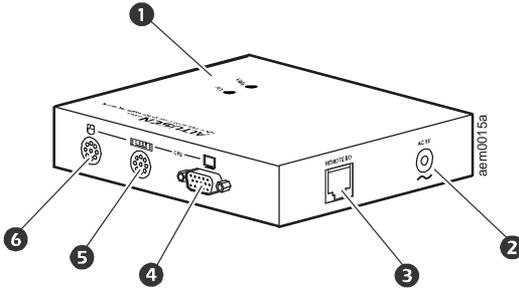
Hardware requirements

Remote Console. To use the Coaxial Analog KVM Console Extender, you need the following equipment:

- VGA, SVGA, or Multisync monitor capable of the highest resolution that you plan to use on any server in the installation
 - PS/2-style mouse
 - PS/2-style keyboard
- NOTE:** If you plan to connect a DDC monitor to the local unit, the monitor that connects to the remote unit must be able to support the highest video resolution the DDC monitor can provide.

Cables. Use CAT-5e or CAT-6 UTP (Unshielded Twisted Pairs) cable (not included) to connect the Coaxial Analog KVM Console Extender to the Coaxial Analog KVM Switch. Cable of a lesser standard will cause the video signal to degrade. The CAT-5e or CAT-6 cable should be no longer than 500 ft (150 m).

Front view of Coaxial Analog KVM Console Extender



Item	Description
❶ Port LEDs	<p>Two LEDs (Power and Link) indicate operating status.</p> <p>A steady Power LED indicates the connection to the local unit is operating correctly.</p> <p>A blinking Power LED indicates that there is a problem with the connection to the local unit.</p> <p>When the Link LED is on, the remote console is active.</p> <p>When the Link LED is off, the local console is active or there is a problem with the connection to the local unit.</p>
❷ Power inlet	AC power adapter cable inlet.
❸ Remote I/O port	To use a remote console, plug a CAT-5e or CAT-6 cable into this port.
❹ Monitor port	Connects to a VGA, SVGA, or Multisync monitor capable of the highest resolution that you plan to use on any server in the installation.
❺ Keyboard port	Connects to a PS/2-style keyboard.
❻ Mouse port	Connects to a PS/2-style mouse.

Install the Coaxial Analog KVM Console Extender

Pre-installation

Turn off power to all devices that you plan to connect. To prevent damage to your equipment because of static-electric discharge, ground all devices involved in the installation.

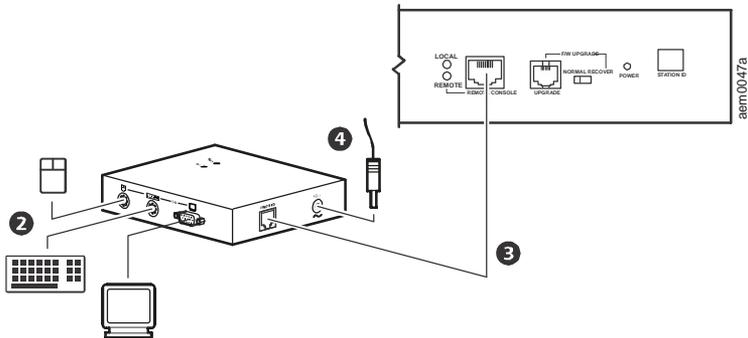
NOTICE

For safety and grounding instructions, consult your device manuals or contact the customer support department of the device manufacturer.

Installation

To install the Coaxial Analog KVM Console Extender:

1. Place the Coaxial Analog KVM Console Extender on a desk or flat surface within convenient reach of the keyboard, mouse, and monitor cables.
2. Plug the keyboard, monitor, and mouse cables for the remote console devices into the appropriate ports of the Coaxial Analog KVM Console Extender (2).
3. Plug either end of the CAT-5e or CAT-6 cable into the I/O port. Plug the other end into the Remote Console port of the Coaxial Analog KVM Switch (3).
4. Plug the power adapter (included) into an AC power source, then plug the power cable of the adapter into the Power Inlet of the Coaxial Analog KVM Console Extender (4).



5. Apply power to the Coaxial Analog KVM Switch by plugging the power cable into the port marked **Power** on the rear of the Coaxial Analog KVM Switch.
6. Apply power to the servers.

Operation - Coaxial Analog KVM Console Extender

The Coaxial Analog KVM Console Extender provides remote access to the Coaxial Analog KVM Switch. Control of the Coaxial Analog KVM Switch is shared serially; only one station can provide input at a time. The Local and Remote consoles can monitor output simultaneously, unless the **Disable Remote** option of the Coaxial Analog KVM Switch is activated.

The **Local** and **Remote** LEDs on the Coaxial Analog KVM Switch cycle back and forth alternatively when no activity is occurring on either console. When the user begins to type on the keyboard, or moves the mouse, the LED for that station will turn on to indicate which console (Local or Remote) has control. The other station will be locked out while the activity continues, although both consoles may continue to monitor the activity. When the user stops all activity for a period of approximately 5 seconds, the LEDs again begin to cycle and either station can take control.

NOTE: Two LEDs on the Coaxial Analog KVM Console Extender indicate operating status:

- When the **Power** LED is on and not blinking, the local connection is active.
 - When the **Link** LED is on, the remote console is active.
- See “Port LEDs” on page 18 for more information about the LEDs.

For security purposes, the remote console can be disabled. This prevents the remote console (the Coaxial Analog KVM Console Extender) from accessing the Coaxial Analog KVM Switch or any of the equipment attached to it. To disable the remote console, press the **Disable Remote** button on the Coaxial Analog KVM Switch. The **Remote** LED of the Coaxial Analog KVM Switch will turn off when remote access is disabled. To re-enable the remote console, press the **Disable Remote** button again; the **Remote** LED will begin to cycle on and off again, alternating with the **Local** LED, when remote access is enabled.

NOTE: The Remote console cannot disable the Local console, because only the local user has access to the Disable Remote button.

See “Operation - Coaxial Analog KVM Switch” on page 12 for information about accessing the ports of the Coaxial Analog KVM Switch.

Specifications

Electrical

Power Supply	120 V; 50 or 60 Hz
Connectors	
Console VGA	1 x 15 pin HDB female
Console K/M	1 x 6 pin mini-DIN female
KVM	RJ-45
Power	External 9 V power supply
Power consumption	AC 9 V 4.0 W (maximum)

Physical

LEDs	Power On (1) On Line (1)
Video resolution	1284 x 1024 DDC; DDC2; DDC2B (local monitor only)
Housing	Metal
Weight	0.44 lb (220 g)
Dimensions (L x W x H)	4.0 x 3.2 x 1.4 in (100 x 80 x 35 mm)

Compliance

CE, UL, FCC, VCCI, GOST AE86

Worldwide Customer Support

Customer support for this or any other product is available at no charge in any of the following ways:

- Visit the Schneider Electric Web site to access documents in the Schneider Electric Knowledge Base and to submit customer support requests.
 - **www.schneider-electric.com** (Corporate Headquarters)
Connect to localized Schneider Electric Web sites for specific countries, each of which provides customer support information.
 - **www.schneider-electric.com/support/**
Global support searching Schneider Electric Knowledge Base and using e-support.
- Contact the Schneider Electric Customer Support Center by telephone or e-mail.
 - Local, country-specific centers: go to **www.schneider-electric.com > Support > Operations around the world** for contact information.

For information on how to obtain local customer support, contact the representative or other distributors from whom you purchased your product.

© 2014 Schneider Electric. All rights reserved.