



by Schneider Electric

Installation Guide SMT 2200/3000 VA Input/Output Hardwire Kit

Important Safety Messages

SAVE THESE INSTRUCTIONS - This section contains important instructions that should be followed during installation and maintenance of the UPS and batteries.

Read these instructions carefully and look at the equipment to become familiar with the device before trying to install, operate, service or maintain it. The following special messages may appear throughout this bulletin or on the equipment to warn of potential hazards or to call attention to information that clarifies or simplifies a procedure.



The addition of either symbol to a “Danger” or “Warning” safety label indicates that an electrical hazard exists which will result in personal injury if the instructions are not followed.



This is the safety alert symbol. It is used to alert you to potential personal injury hazards. Obey all safety messages that follow this symbol to avoid possible injury or death.

DANGER

DANGER indicates a hazardous situation which, if not avoided, will result in death or serious injury.

WARNING

WARNING indicates a hazardous situation which, if not avoided, could result in death or serious injury.

CAUTION

CAUTION indicates a hazardous situation which, if not avoided, could result in minor or moderate injury.

NOTICE

NOTICE is used to address practices not related to physical injury.

Product Handling Guidelines



<18 kg
<40 lb



18-32 kg
40-70 lb



32-55 kg
70-120 lb



>55 kg
>120 lb

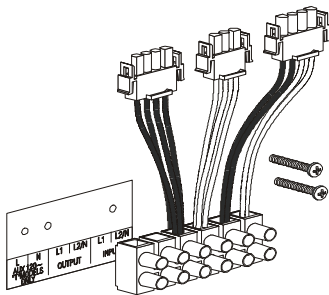


Hardwire safety

- Check that all branch circuit (mains) and low voltage (control) circuits are deenergized, and locked out before installing cables or making connections, whether in the junction box or to the UPS.
- Wiring by a qualified electrician is required.
- Check national and local codes before wiring.
- Strain relief is required for all hardwiring (supplied with select products). Snap in type strain reliefs are recommended.
- All openings that allow access to UPS hardwire terminals must be covered. Failure to do so may result in personal injury or equipment damage.
- Select wire size and connectors according to national and local codes.

Inventory

Note: The illustrations in this manual may differ slightly in appearance from the actual hardware.



Terminal block
Terminal block label
2 screws to secure the terminal block to the UPS



4 grounding screws



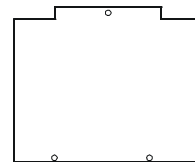
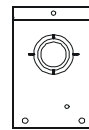
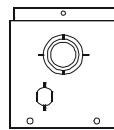
8 screws
secure input, output, and blank panels to the UPS



2 wire nuts

2200/3000 VA 100/120/230 VAC Tower

Input panel
Output panel
Blank panel



Installation

⚠ WARNING

RISK OF ELECTRIC SHOCK

- Adhere to all national and local electrical codes. A certified electrician must perform all electrical connections.
- Disconnect equipment connected to the UPS.
- Press the OFF button located in front of the UPS.
- Disconnect the batteries in the UPS.
- Disconnect UPS from the AC utility power.

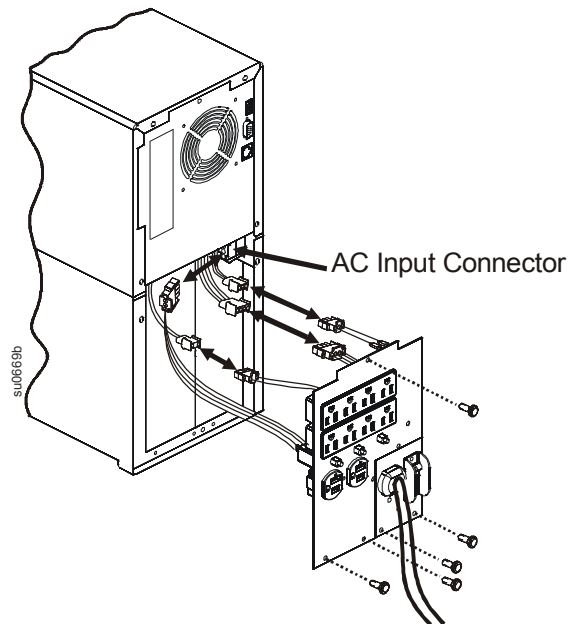
Failure to follow this instruction can result in death, serious injury, or equipment damage.

Note: It is recommended that the input and output cables be connected to the terminal block prior to installing the terminal block in the UPS.

Remove the five screws that secure the factory installed PDU panels to the UPS.

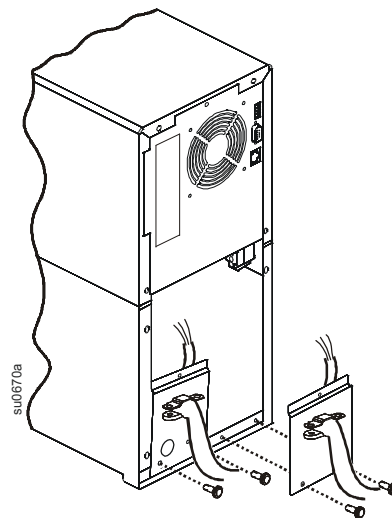
Save the screws.

Disconnect the PDU input and output cables as shown in the diagram.

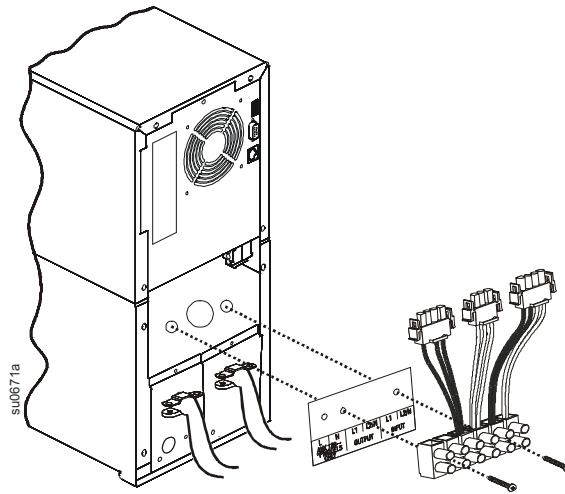


Secure the replacement input and output panels (supplied), to the UPS. Secure the panels with four of the screws removed from the factory installed PDU panel.

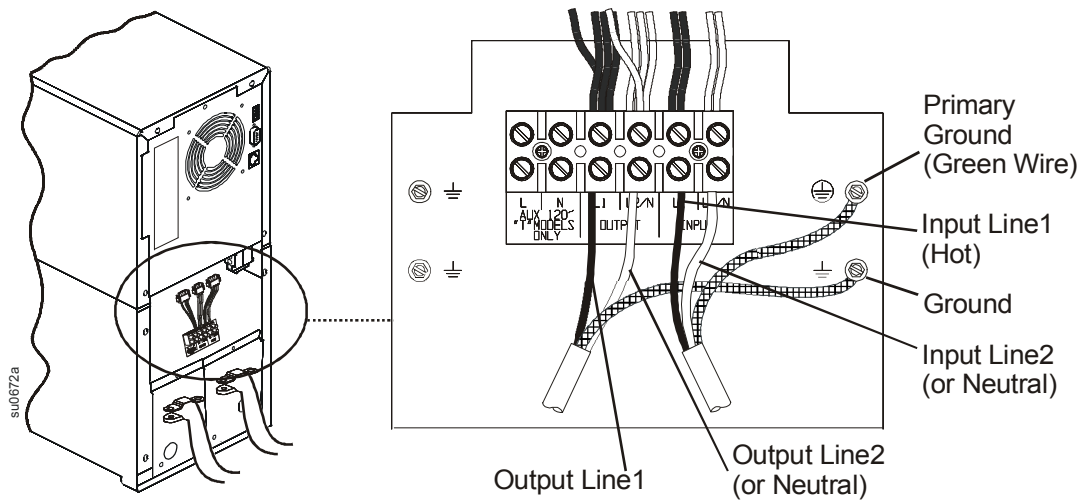
Install appropriate strain relief clamps (not supplied), to the input and output panels as shown in the diagram.



Secure the terminal block and label to the UPS with two screws (supplied), as shown in the diagram.

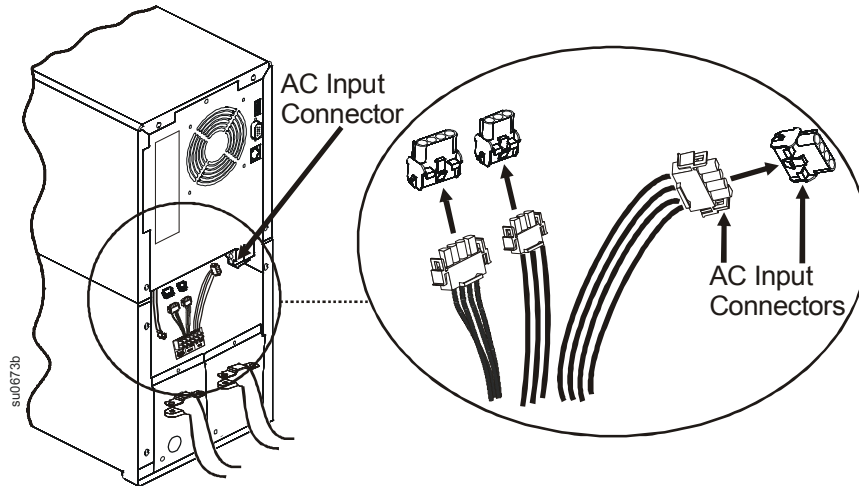


Refer to the diagram below. Use the screws supplied. Connect the ground wires with the grounding screws. Connect the input and output cables.

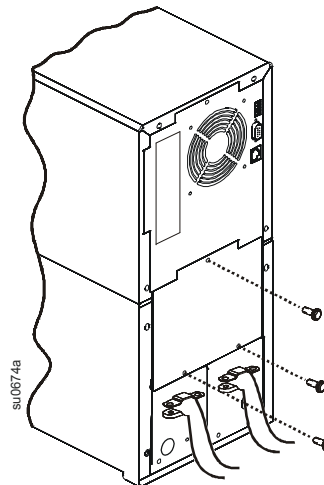


Connect the terminal block and UPS connectors as shown in the diagram.

Note: The two pin connector will not be utilized with the replacement input and output panels.



Secure the blank panel to the UPS using three screws (supplied).



APC by Schneider Electric Worldwide Customer Support

Customer support for this or any other APC by Schneider Electric product is available at no charge in any of the following ways:

- Visit the APC by Schneider Electric web site to access documents in the APC by Schneider Electric Knowledge Base and to submit customer support requests.
 - **www.apc.com** (Corporate Headquarters)
Connect to localized APC by Schneider Electric web sites for specific countries, each of which provides customer support information.
 - **www.apc.com/support/**
Global support searching APC by Schneider Electric Knowledge Base and using e-support.
- Contact the APC by Schneider Electric Customer Support Center by telephone or e-mail.
 - Local, country specific centers: go to **www.apc.com/support/contact** for contact information.
 - For information on how to obtain local customer support, contact the APC by Schneider Electric representative or other distributor from whom you purchased your APC by Schneider Electric product.

Customer support and warranty information is available at the APC by Schneider Electric Web site, **www.apc.com**.