

# Kensington®

## SmartFit® Easy Riser™ Notebook Cooling Stand

QUICK START GUIDE

GUIDE DE DEMARRAGE RAPIDE

KURZANLEITUNG

SNELSTARTGIDS

GUIDA RAPIDA

GUÍA RÁPIDA

GYORSKALAUZ

PŘÍRUČKA ZAČÍNÁME

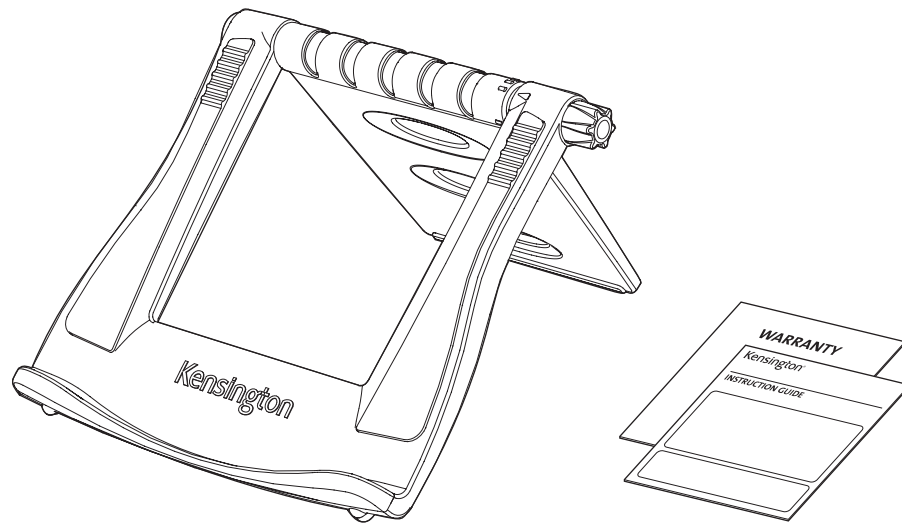
SZYBKI START

КРАТКОЕ РУКОВОДСТВО

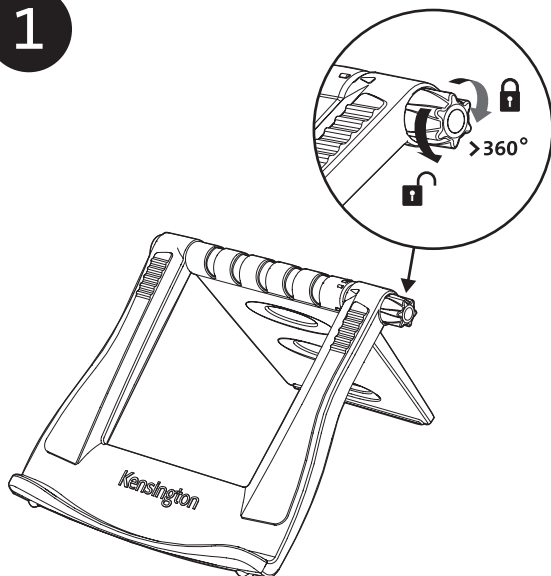
ПОЛЬЗОВАТЕЛЯ

MANUAL DE INÍCIO RÁPIDO

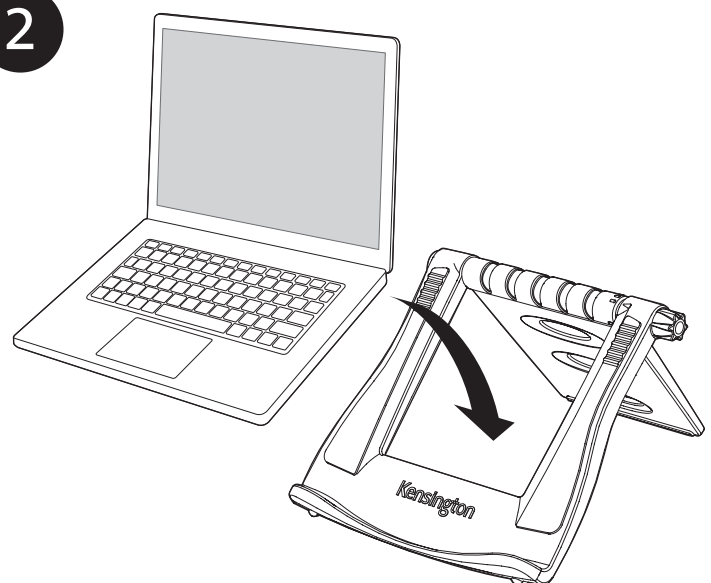
دليل البدء السريع



1



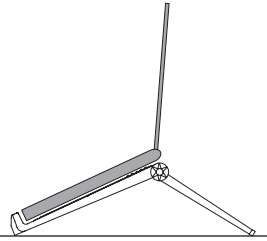
2



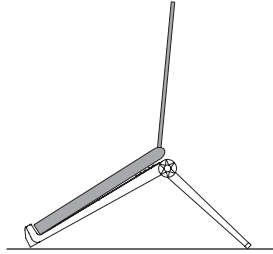
3



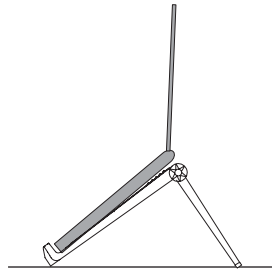
4



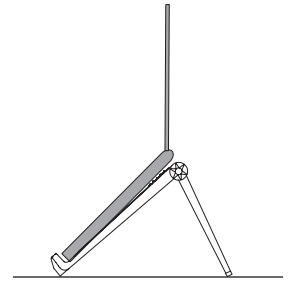
25°



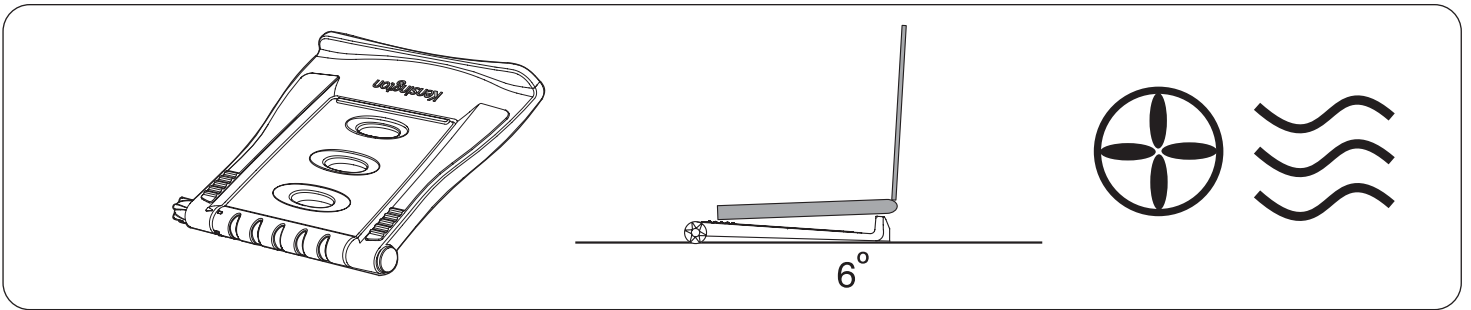
32.5°



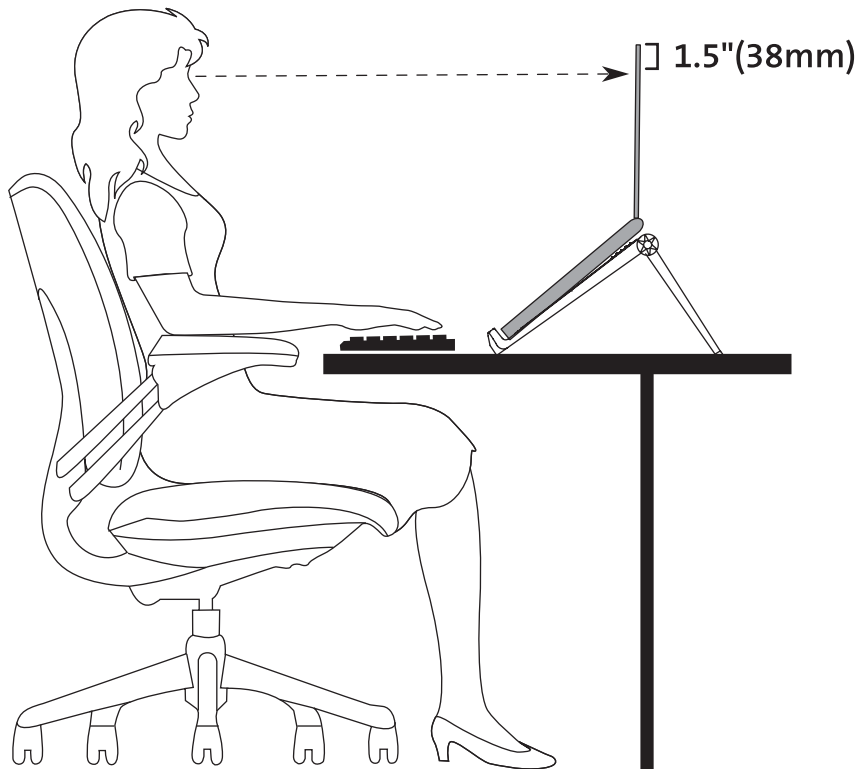
40°



50°



5



Register Now!  
Enregistrer maintenant !  
Jetzt registrieren!  
Nu registreren

Registrar ahora  
Registra adesso  
Regisztràljon most!  
Zaregistrujte se nyní!

Zarejestruj się!  
Зарегистрироваться!  
Registe-se agora!  
سجل الآن!

[register.kensington.com](http://register.kensington.com)

Technical Support / Assistance technique / Technischer Support / Technische ondersteuning / Supporto tecnico / Asistencia técnica /  
Műszaki támogatás / Technická podpora / Pomoc techniczna / Техническая поддержка / Assistència tècnica / الدعم الفني

|                   |                |             |                |                    |                  |
|-------------------|----------------|-------------|----------------|--------------------|------------------|
| Australia         | 1300 881 931   | Hungary     | 06 20 9430 612 | Portugal           | 800855802        |
| België / Belgique | 02 401 2395    | Ireland     | 01 431 1395    | Russia             | 007 495 933 5163 |
| Brasil            | 14 3235-4003   | Italia      | 02 3604 7030   | Schweiz / Suisse   | 044 580 6667     |
| Canada            | 1 800 268 3447 | México      | 55 15 00 57 00 | Sweden             | 08 5033 6577     |
| Denmark           | 80 250966      | Nederland   | 010 713 1882   | United Kingdom     | 0203 364 5390    |
| Deutschland       | 0692 222 3654  | New Zealand | 0800 539 26273 | United States      | 1 800 535 4242   |
| España            | 911 146 735    | Norway      | 80017520       | International Toll | +31 53 484 9135  |
| Finland           | 0800 9 15697   | Österreich  | 0800 677 873   |                    |                  |
| France            | 01 7671 0404   | Polska      | 22 570 18 00   |                    |                  |

Kensington and the ACCO name and design are registered trademarks of ACCO Brands. SmartFit is a registered trade mark of ACCO Brands. Easy Riser is a trade mark of ACCO Brands. All other registered and unregistered trademarks are the property of their respective owners.

©2016 Kensington Computer Products Group, a division of ACCO Brands. Any unauthorized copying, duplicating, or other reproduction of the contents hereof is prohibited without written consent from Kensington Computer Products Group. All rights reserved. 07/16



Kensington Computer Products Group  
A Division of ACCO Brands  
1500 Fashion Island Blvd, 3rd Floor  
San Mateo, CA 94404



ACCO Brands Europe  
A Division of ACCO Brands Europe  
Oxford House, Oxford Road  
Aylesbury, Buckinghamshire,  
HP21 8SZ  
United Kingdom

ACCO Brands Canada Inc  
7381 Bramalea Rd  
Mississauga,  
ON L5S 1C4  
Canada

ACCO Australia  
Level 2, 8 Lord St  
Botany NSW 2019  
Australia

Importado por ACCO Mexicana  
S.A. de C.V.  
Circuito de la Industria Norte # 6,  
Corredor Industrial Toluca Lerma,  
Lerma México Cp. 52004  
R.F.C. AME640229-1W3

Acco Brands Chile S.A.,  
Avda. San Josemaría  
Escrivá de Balaguer Nº5773  
Vítacura, C.P. 7640970  
Santiago, Chile

Importado e Distribuído por:  
TILIBRA PRODUTOS DE PAPELARIA LTDA.  
CNPJ: 44.990.901/0001-43  
Rua Aymorés, 6-9 – Bauru/SP – Brasil  
CEP 17013-900

[www.kensington.com](http://www.kensington.com)